

# Noorina-series Street Lighting Datasheet



## Features :

- High Brightness SMD LED
- Low Power Requirement & Energy Efficient
- Waterproof Level IP65
- High quality of light and low glare without scattered light
- Long lifetime: 50,000 hours with Edison's LM-80 certified components (EMC 3030)
- Better heat dissipation performance



## Table of Contents

---

Table of Contents .....	2
General Information .....	3
Technical Data .....	3
Mechanical Dimensions.....	4
Light Pattern.....	5
IES LM-80-08 Test Report.....	6
Application .....	6
Application .....	6
Revision History .....	7
About Edison Opto .....	7





## General Information

### Introduction

In view of the energy saving and long lifetime advantages of LED, replacing traditional street light with LED lighting is an inexorable trend. Integrating LED packaging and optical design abilities, Edison Opto provides an Self-ballasted Street Lighting whose secondary optical design is based on the ME3 requirements. It delivers homogeneous illumination with lower energy consumption, providing safe and bright road environments. Self-ballasted Street Lighting is suitable for general road and fast road.

### Technical Data

Parameter	Rating/Value	Units
Part no.	RS2/RS3/RS4/RS5	-
Power Consumption	50/100/150/200	W
Luminous flux(Cold Lumen)	5,830/10,500/15,840/20,350	lm
Luminous flux(Hot Lumen)	5,300/9,550/14,400/18,500	lm
Beam Angle	117°/89°/112°/111°	Degree
CRI	≥75	-
Color Temperature	5500~6500	K
AC Input Voltage	100~277V/50Hz	V
Surge	10KV	-
Operating Temperature	-5 ~ +70	°C
Storage Temperature	-20 ~ +60	°C
Power Factor	> 0.9	-
Warranty	5	year
Life time	50,000	hour
Material	Die Casting Aluminium	-
Protection Level	IP65	-

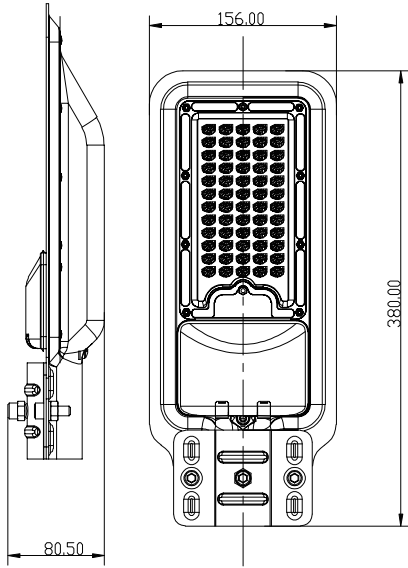
#### Notes:

1. LEDs are not designed to be driven in reverse bias.
2. Flux is measured with an accuracy of ±15%.
3. Forward Current is measured with an accuracy of ±10%.
4. Weight has ±5% tolerance.
5. Never plug the driver to AC outlet before the Module is properly connected; otherwise, it may damage the LEDs permanently.

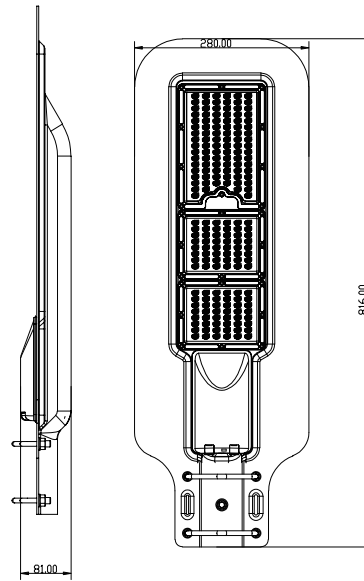


## Mechanical Dimensions

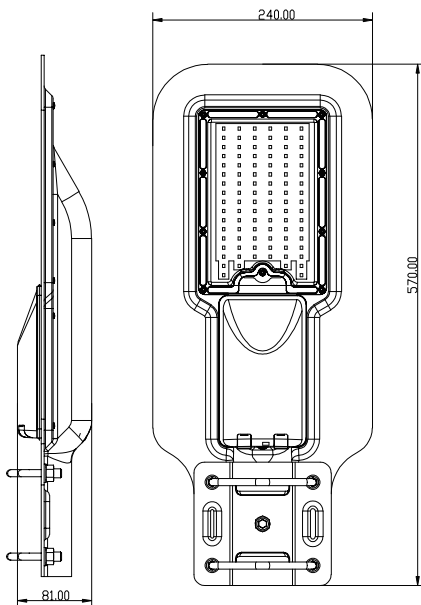
**RS2-50W**



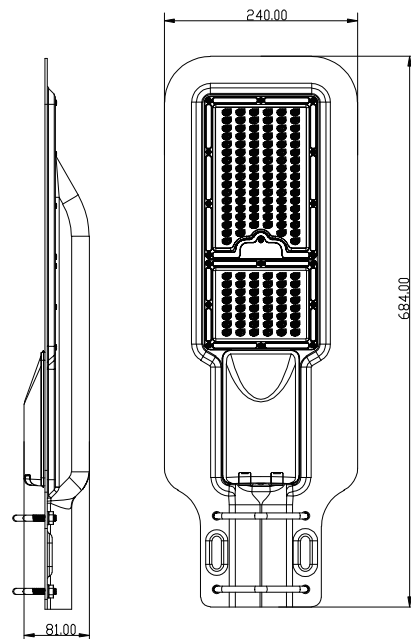
**RS3-200W**



**RS4-100W**



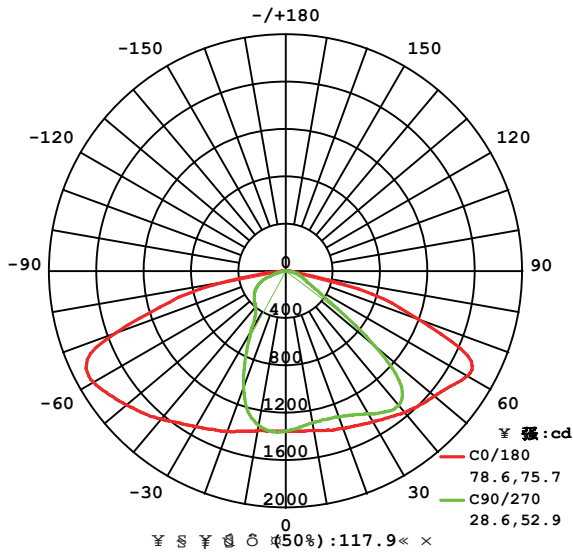
**RS5-150W**



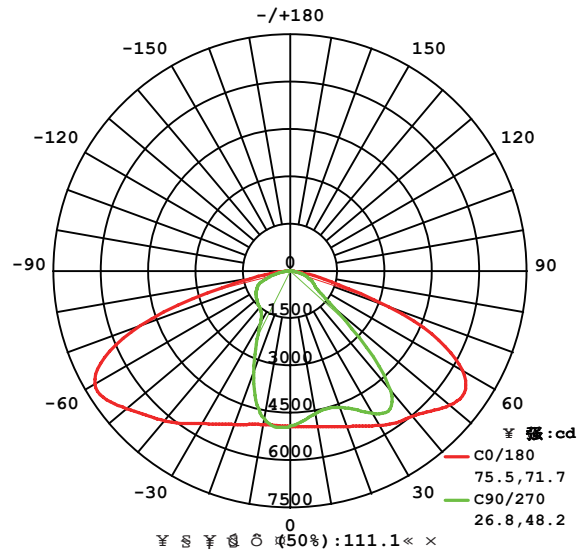
Unit: mm  
Tolerance: ± 2.0 mm

## Light Pattern

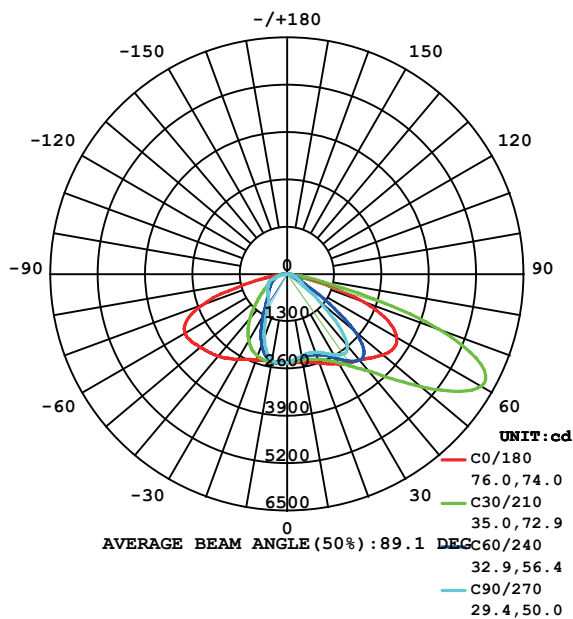
**RS2-50W**



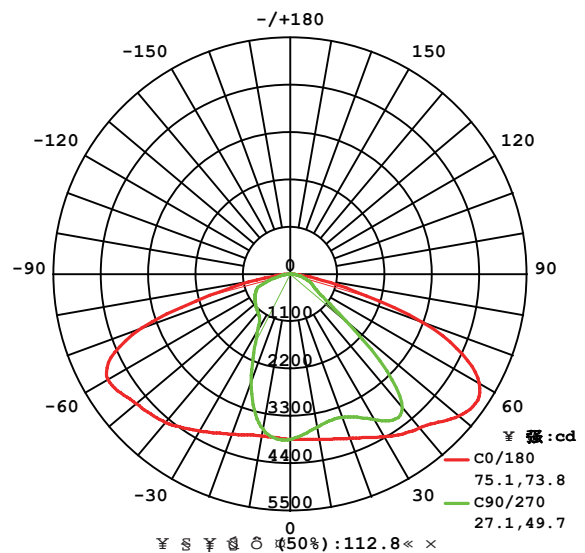
**RS3-200W**



**RS4-100W**



**RS5-150W**





## IES LM-80-08 Test Report



### MEASURING LUMEN MAINTENANCE OF LED LIGHT SOURCE

Report Number	Q150403
Test Sample	2T1202WW05000002
Rating	DC 150mA 1W
Normal CCT	2,700 K
Test Date	April 29, 2015 to September 3, 2015
Test Address	9F, NO.800, Chung-Cheng Rd., Chung-Ho Dist., New Taipei City 235, Taiwan
Test Standard	IES LM-80-08 Approved Method : Measuring Lumen Maintenance of Led Lighting Sources
Temp. Measure point	See page 3
Description of test equipment	See page 3
Test Engineer	Cloud Chen <i>Cloud Chen</i>
Review By	Kenny Yen <i>Kenny Yen</i>

**Notes:**

1. The test center executes the test operations with prudent manners. All the test results are detail stated in the report. All test service meet under the regulations of ISO/IEC 17025.
2. The report is only responsible to the assigned test. It shall not be any of the bases of Compliance judgments.
3. There are 12 pages in the test report (include the cover page). It is invalid when being used separately.
4. The test report is forbidden to reproduce in separate pages. The complete report copy is unrestricted.
5. The recorded contents in this report shall not be used as advertising, publications or merchandising purposes without written permissions by the test center.
6. Lumen maintenance(lm) uncertainty=1.601%(K=1.97) at 95% confidence level
7. Chromaticity(x,y) uncertainty=0.000018 (K=2) at 95% confidence level

Report NO. Q150403

## Application





## Revision History

Versions	Modification	Date
0.1	Preliminary	2016/06/23

## About Edison Opto

Edison Opto is a leading manufacturer of high power LED and a solution provider experienced in LDMS. LDMS is an integrated program derived from the four essential technologies in LED lighting applications- Thermal Management, Electrical Scheme, Mechanical Refinement, Optical Optimization, to provide customer with various LED components and modules. More Information about the company and our products can be found at [www.edison-opto.com](http://www.edison-opto.com)

Copyright©2015 Edison Opto. All rights reserved. No part of publication may be reproduced or transmitted in any form or by any means, electronic or mechanical, including photo copy, recording or any other information storage and retrieval system, without prior permission in writing from the publisher. The information in this publication are subject to change without notice.

[www.edison-opto.com](http://www.edison-opto.com)

For general assistance please contact:  
[service@edison-opto.com.tw](mailto:service@edison-opto.com.tw)

For technical assistance please contact:  
[LED.Detective@edison-opto.com.tw](mailto:LED.Detective@edison-opto.com.tw)

